



water solutions

# Data sheet

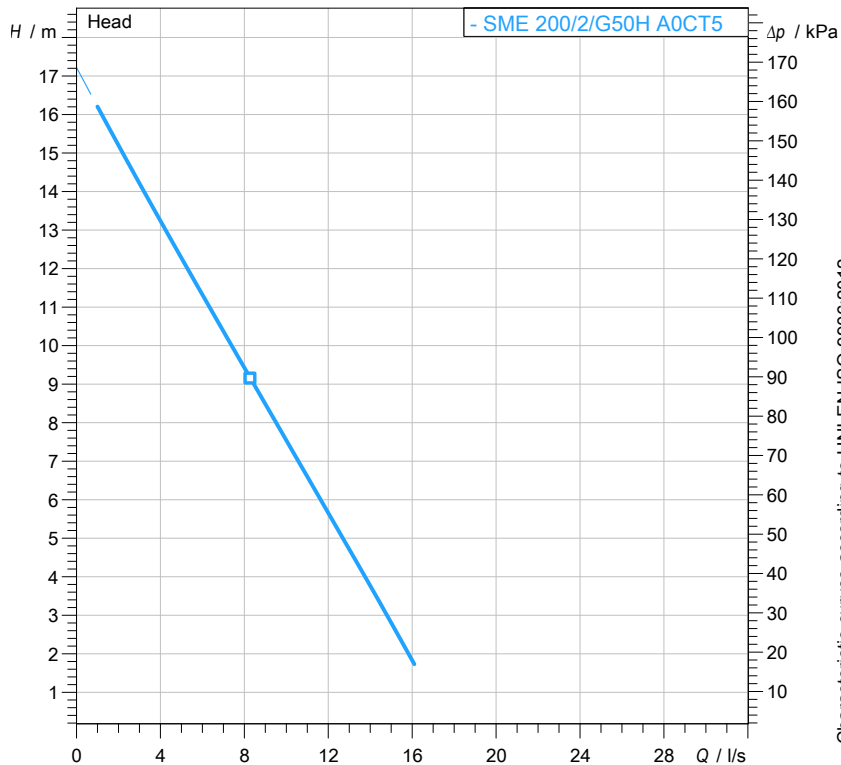
## SME 200/2/G50H A0CT5

# E

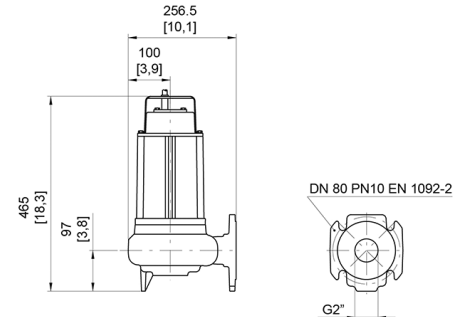
series

### Technical specification

3~ 50 Hz



Characteristic curves according to UNI EN ISO 9906:2012

[ mm ]  
[ inch ]

#### Pump

Series	E series
Pump name	SME 200/2/G50H A0CT5
Configuration	NGTRQ21040N00NN
Standard	EN 809:2009

#### Motor data

Rated voltage	400 V
Frequency	50 Hz
Motor phases	3~
Number of poles	2
Rated power P2	1,5 kW
Incoming power P1	2,0 kW
Rated current	3,6 A
rpm	2690 1/min
cos φ	0,83
Rated torque	5,3 Nm
Start	Direct starting
Degree of protection	IP 68
Insulation class	F

#### Hydraulic

Type	SM (Single-channel closed impeller)
Free passage	50 mm
Impeller type	Closed channel impeller
Discharge	DN 80 - G2" EN 1092-2
Curve tolerance	UNI EN ISO 9906:2012

#### Operating limits (standard pumps)

Max. ambient temperature	40 °C
Max. density treated liquid	1100 kg/m <sup>3</sup>
Max. immersion depth	20 m
pH treated liquid	6 ÷ 14
Max. start per hour (equally distributed)	30
Wet/dry use	WET
Max. acoustic pressure level	70 dB
Operating mode	2018-03-20 S1 - Continuous use

#### Construction materials

Case	Cast iron EN-GJL 250
Shaft	Stainless steel - AISI 420
Hydraulic	Cast iron - EN-GJL 250
Impeller	Cast iron - EN-GJL 250
Painting/Coating	Bi-epoxy 80 μm
Screws	Stainless steel - Class A2-70
Gaskets	NBR

#### Construction features

Cooling system	No cooling jacket
Main cable	4G1
Control cable	-
Cable length	10 mt
Mechanical seals	1 in silicon carbide and 1 lip seal
Additional drilling	-
Weight*	31 kg
Electrical variant	Thermal protection and relays

\* cable's weight not included

Rev. 0 - 16-12-2014

All data shown are not binding. Zenit reserves the right to change data and dimensions without notice.

Created on 2018-03-20

zenit.com

Page 1 / 3



water solutions

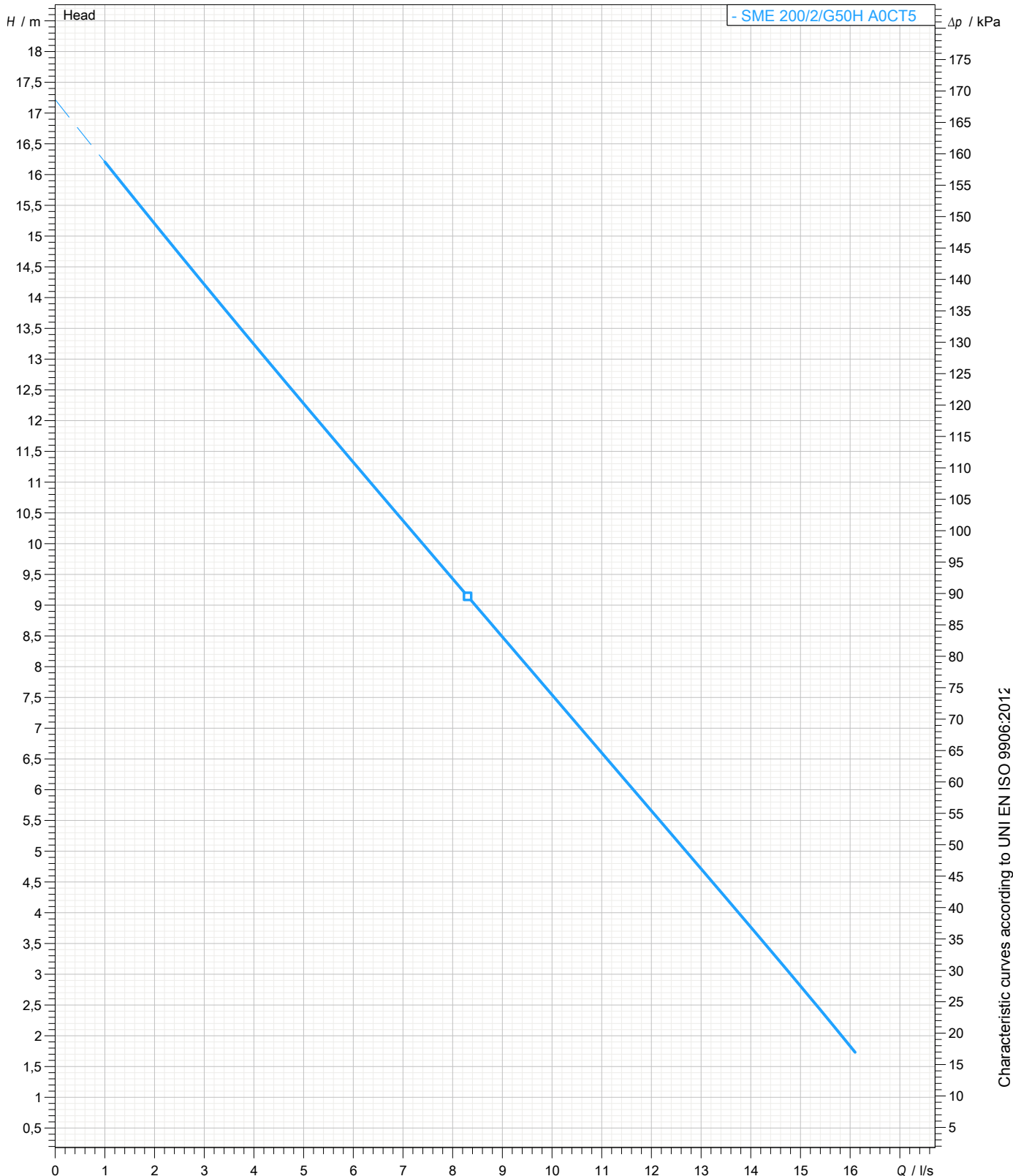
# Data sheet SME 200/2/G50H A0CT5

# E series

## Pump performance curves

3~ 50 Hz

Hydraulic type SM (Single-channel closed impeller)		Impeller type Open channel impeller	Free passage 50 mm	Discharge DN 80 - G2"	Suction -
<b>DUTY POINT</b>					
Flow	Head	Shaft power P2	Hydraulic efficiency	Density 998,3 kg/m <sup>3</sup>	Viscosity 1,005 mm <sup>2</sup> /s



Characteristic curves according to UNI EN ISO 9906:2012



water solutions

# Data sheet SME 200/2/G50H A0CT5

# E

series

## Dimensional drawing

3~ 50 Hz

**Installation type** Installation with bottom coupling device - Vertical outlet

WET/DRY use: WET

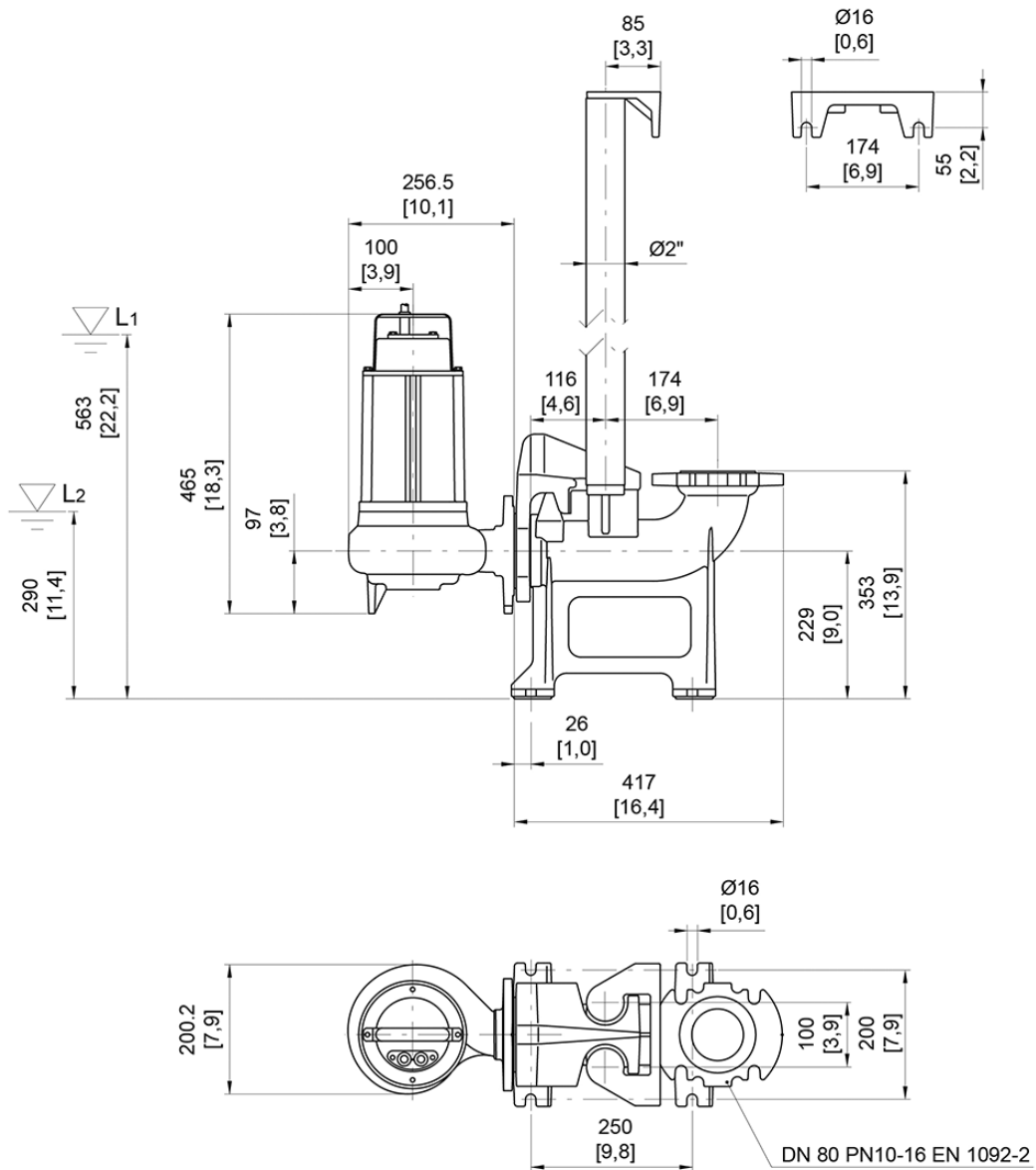
Accessory \* : DAC 80/80V+KAF 116-2" EN (P)

Discharge: DN 80 - G2" EN 1092-2

Accessory code \* : 9001.032

Pressure rating (suction/discharge): PN 10

\* Accessory must be ordered separately



L1: Minimum operating level for continuous use  
L2: Minimum operating level for discontinuous use

[ mm ]  
[ inch ]